



TOGIROBO *Version II*

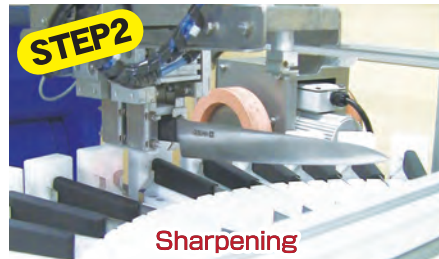
Knife Polishing Robot System



Nikko's automatic knife polishing robot system surpasses craftsmanship.

ALL YOU NEED IS JUST SETTING A KNIFE ON A MACHINE

All processes are automated! Togi-Robo II sharpens knives efficiently and all worker use it easily.



Faster than sharpening by hand

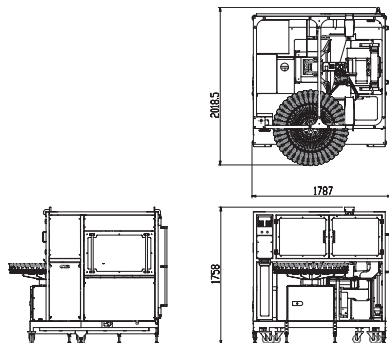


Every sharp of blade is the absolutely same after sharpened and less consume blade



Easy Operation

Simple and intuitive menu by control touch panel



Specification

- Size Total length ----- 2,018mm
- Total width ----- 1,787mm
- Total height ----- 1,758mm
- Weight ----- 2t
- Robot ----- 6 Axis Multi-Joint Robot
- Power supply -- 1.7kw (3Phase 200v)
- Air Consumption ----- 60ℓ / min
- Free setting of range to sharpen

※It is prohibited by law to copy for manufacture all and/or part of this system. These specification will be changed for improvement/modification without notice.

Nikko CO.,Ltd.

URL <http://www.k-nikko.com>

Head office

■ 110-1 Tsuruno, Kushiro-shi, Hokkaido, Japan, 084-0924
TEL +81-154-52-7101 FAX +81-154-53-0878

International office

■ 1-9-1, Nishishinkoiwa, Katsushika-ku, Tokyo, Japan, 124-0025
TEL +81-3-5654-6770 FAX +81-3-6853-0055